

Spot ZEPHYR® 20W

Visions for Light

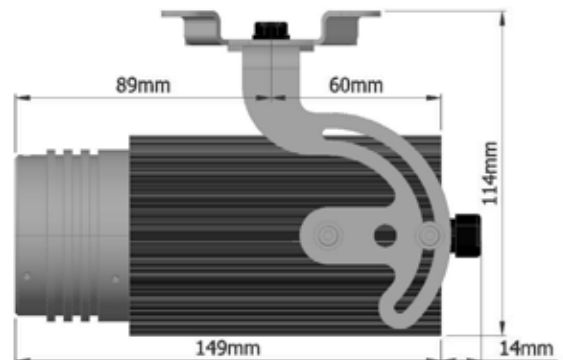
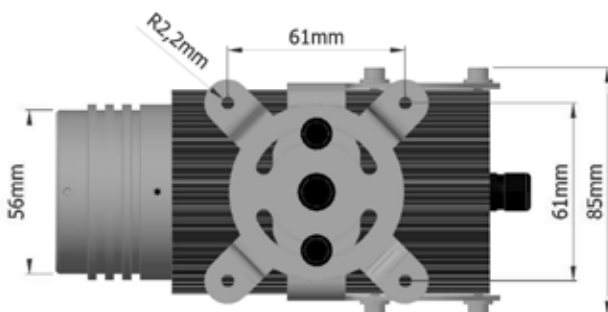
ZEPHYR LED 20W offers a true alternative to traditional lamped spot lights, thanks to the LED brightness and quality of the light spectrum. ZEPHYR has been designed for commercial spaces, shops, museums and for general lighting as well as for emphasizing objects. In addition to its powerful light output, ZEPHYR is also characterized by a very low power consumption and a life time over 70,000 hours. ZEPHYR is virtually maintenance free.

Characteristics

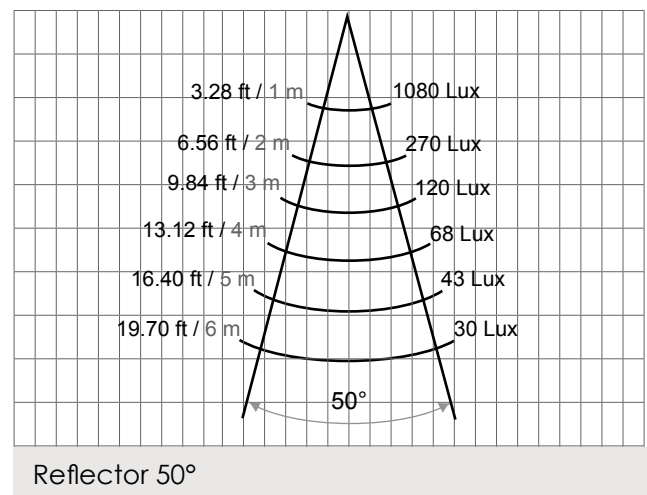
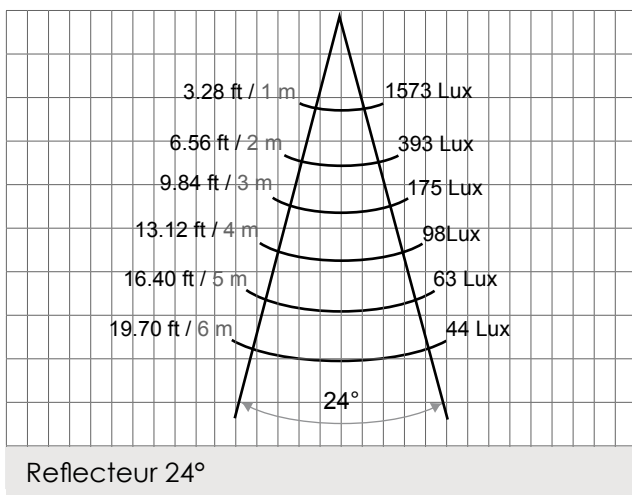
- Body : **Anodized aluminum**
- Output angle : **24°, 36° et 50°**
- LED : **LED Array**
- Power : **90 - 264v Ac / 50-60Hz**
(See page 3)
- Max. power : **20 W**
- Dimensions : **163x114 mm**
- Life Expectancy : **70 000 hours**
- Cooling : **Natural convection**



Dimension

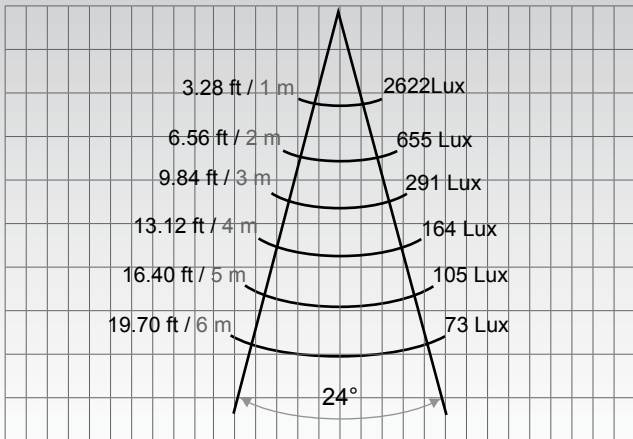


Photometric: 1200lm Warm White Reflector 24 ° and 50 °

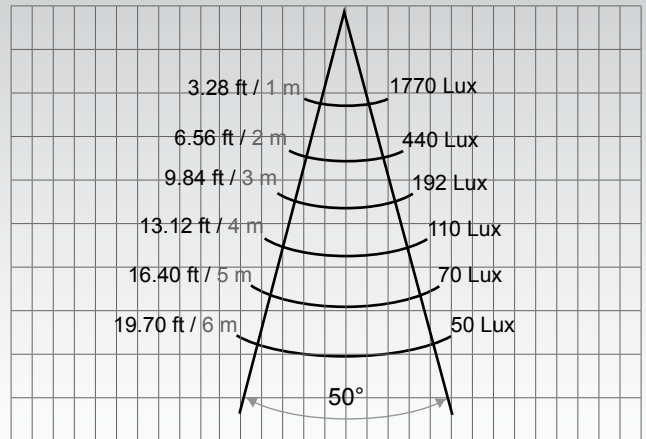


* curve carried out under laboratory conditions

Photometric: Cool White 2000 lm with reflector 24 and 50 degrees



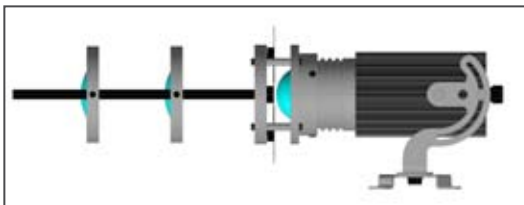
Reflector 24°



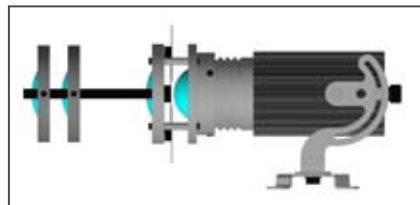
Reflector 50°

* curve carried out under laboratory conditions

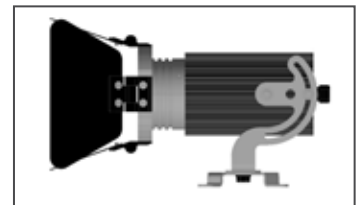
Optional Accessories (US)



Long Tear

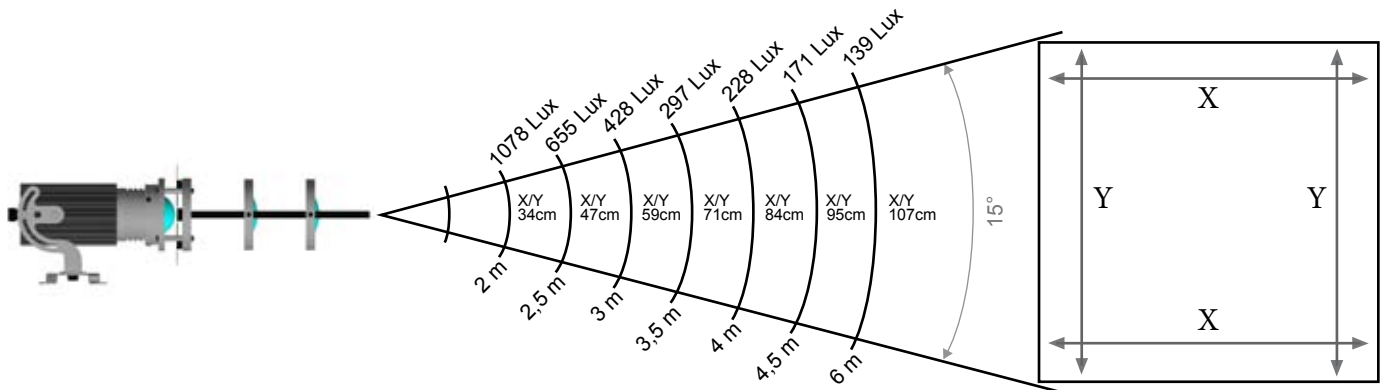


Short Tear

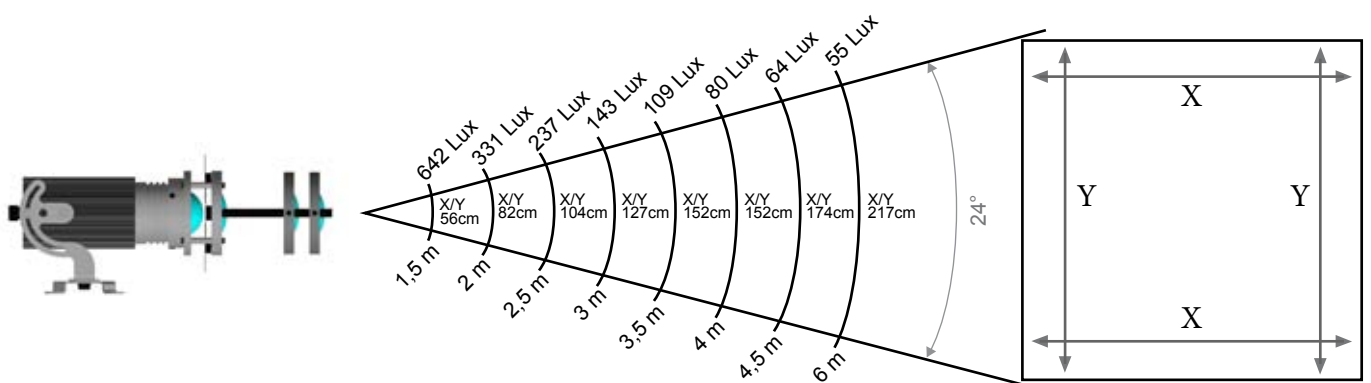


Barn Doors

Illumination angles and cuts of 15 ° long



Illumination angles and cuts of 24 ° long



Power Supply



Driver ledtolite

90-264 Hz input voltage Vac-50/60
DMX512
Fixed settings controlled by a dip switch
Thermally managed LED chip



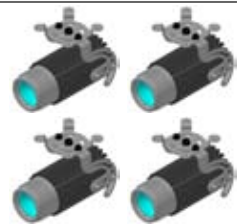
Mean Well Driver LPC60

90-264 Hz input voltage Vac-50/60
4 outputs 48V Max 1050mA
Non dimming
Possible to connect 1 or 2 spots
If 2 spotlights wired in series



Eldoled Solo Drive

90-264 Hz input voltage Vac-50/60
4 outputs 24V Max 1050mA
4 outputs simultaneously dimmable



Eldoled power drive Drive

90-264 Hz input voltage Vac-50/60
4 outputs 24V Max 1050mA
DMX512 option

